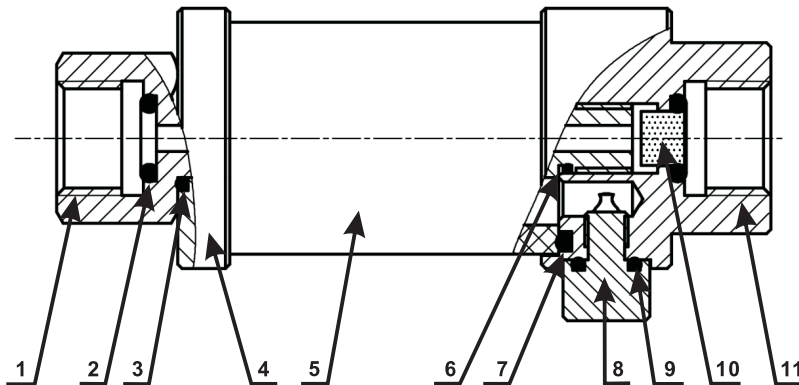


■ Specification

- | | |
|---------------------------------------|---|
| A. Filtering resolution: 0.04mm | B. Safety pressure: <720 psi |
| C. Pressure range: (-15~600) psi | D. Inlet thread: 1/4" BSP female to selected adapter |
| E. Operation temperature: (-10~50) °C | F. Outlet thread: 1/4" BSP female to selected adapter |
| G. Material (see diagram below) | H. Size: φ30mm X 127mm (will vary based on adapter) |
| 304 SS: 1, 4, 8, 10, 11 | |
| NBR70: 2, 3, 6, 7, 9 | |
| UPVC: 5 | |

■ Operation & Maintenance



- | | | | |
|---------------------------|--------------------|--------------------------|---------------------|
| 1. Window fitting (inlet) | 2. Sealing ring | 3. Sealing ring | 4. Window end cover |
| 5. Transparent window | 6. Sealing ring | 7. Sealing ring | 8. Drain valve |
| 9. Sealing ring | 10. Filter element | 11. Filter seat (outlet) | |

1. Operating procedure

- 1.1 Ensures the threads between window fitting (inlet) and filter seat (outlet) are tightly connected.
- 1.2 Ensures the threads between drain valve and filter seat(outlet) are tight.
- 1.3 Before operation, correctly install the filter as per the fluid flow direction, use a 17 mm wrench to fix two sides. Ensures all connections are well sealed.
- 1.4 After the above procedures the filter is ready to be used.
- 1.5 The filter may trap some liquid. The detailed draining procedure is as follows:
 - 1.5.1 Before draining the liquid, ensure there is no pressure in filter.
 - 1.5.2 Open the drain valve in counterclockwise until it is completely removed.
 - 1.5.3 Apply a little pressure (no more than 3 psi (206 mbar) pressure to filter, until all of liquid drains out.
 - 1.5.4 Tightly close the drain valve.

2 Cleaning the filter

- 2.1 Regularly cleaning of the filter to remove contaminants may be required.
- 2.2 Cleaning procedure
 - 2.2.1 Before cleaning, ensures there is no pressure on the filter.
 - 2.2.2 Use a 17 mm wrench to fix the window fittings and filter seat. Open in a counterclockwise rotation.
 - 2.2.3 Dismount and clean the window fitting and window end cover.
 - 2.2.4 Take out the filter element and clean it. Replace the old filter element with A new one if necessary.
 - 2.2.5 After cleaning, assemble all pieces and ensure all fittings are tightly connected.

■ Operation & Maintenance

1. Do not overpressure.
2. Install the filter as per the flow direction.
3. Check the fittings and sealing rings before use.
4. Do not dismount the filter with pressure applied.