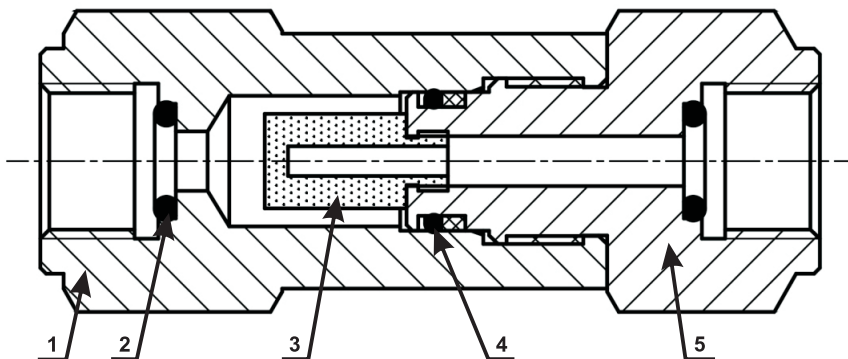


■ Specification

- | | |
|---------------------------------------|---|
| A. Filtering resolution: 0.07mm | B. Safety pressure: <12,000 psi |
| C. Pressure range: (-14~10,000) psi | D. Inlet thread: 1/4" BSP female to selected adapter |
| E. Operation temperature: (-10~80) °C | F. Outlet thread: 1/4" BSP female to selected adapter |
| G. Material (see diagram below) | H. Size: 22mm X 25mmX 100mm |
| 304 SS: 1, 3, 5 | (will vary based on adapter) |
| NBR70: 2,4 | |

■ Operation & Maintenance



- | | |
|-------------------------------|-----------------|
| 1. Filter cavity seat (inlet) | 2. Sealing ring |
| 3. Filter element | 4. Sealing ring |
| 5. Adapting seat (outlet) | |

1. Operating procedure

- 1.1 Ensures the threads between filter cavity seat and adapting seat are tightly connected.
- 1.2 Before operation, correctly installed the filter as per the fluid flow direction, use a 22 mm wrench to fix two sides and make sure all connection joints are well sealed.
- 1.3 After above procedure, the filter is ready to be used.

2 Cleaning the filter element and filter cavity seat

- 2.1 Regularly cleaning of the filter to remove contaminants may be required.
- 2.2 Cleaning procedure
 - 2.2.1 Before cleaning, make sure there is no pressure in filter.
 - 2.2.2 Use a 22 mm wrench to loosen the filter cavity seat and adapting seat counterclockwise.
 - 2.2.3 Dismount and clean the filter
 - 2.2.3 Take out the filter element and clean it. Replace the old filter element with a new one if necessary.
 - 2.2.4 After cleaning, assemble it in reverse sequence. Ensures all fittings are tightly connected.

■ Cautions

1. Do not over pressure.
2. Install the filter as per the flow direction of fluid, do not use in reverse direction.
3. Check the fittings and sealing rings before use.
4. Do not dismount the filter with pressure applied.